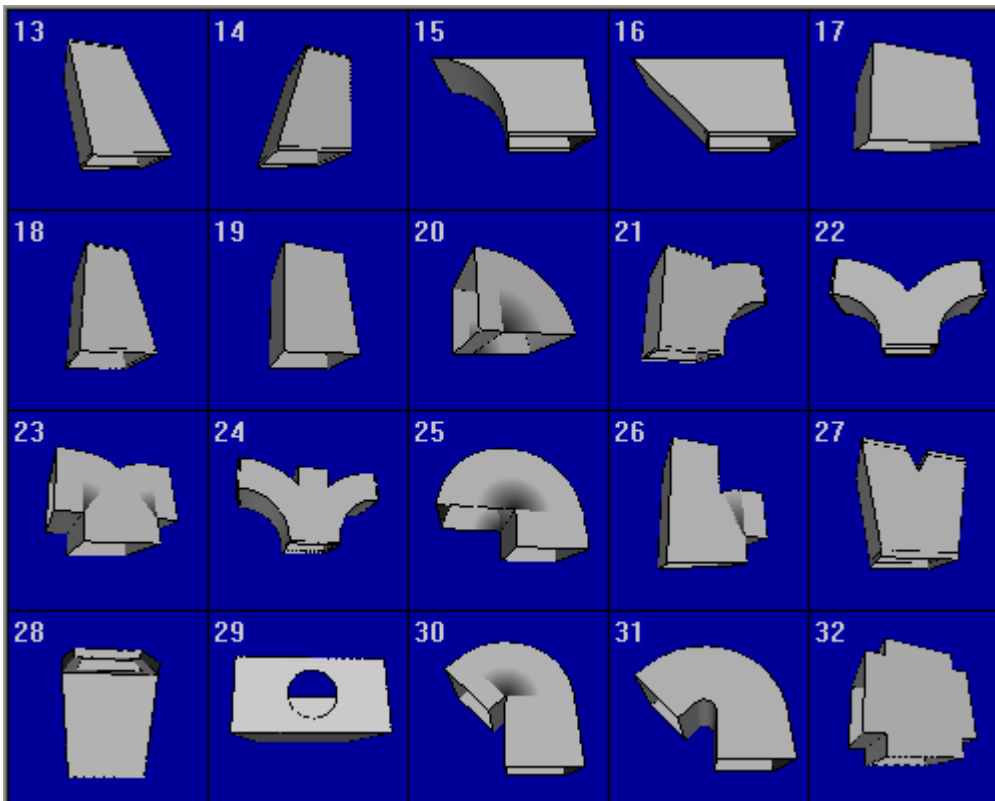
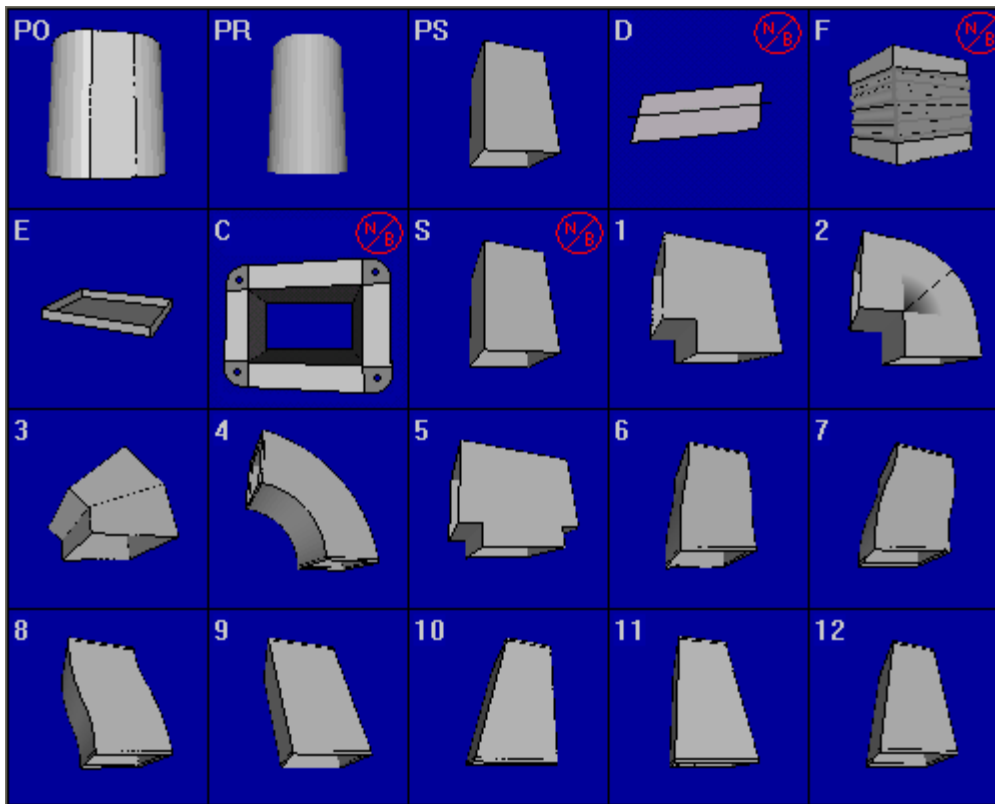
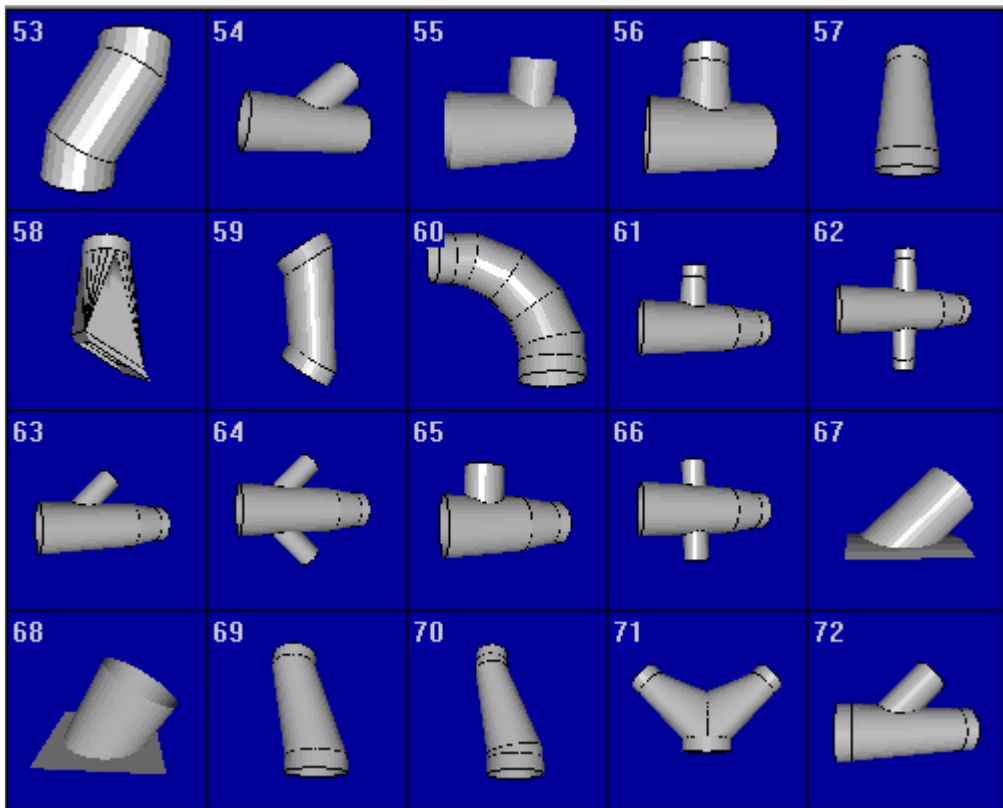
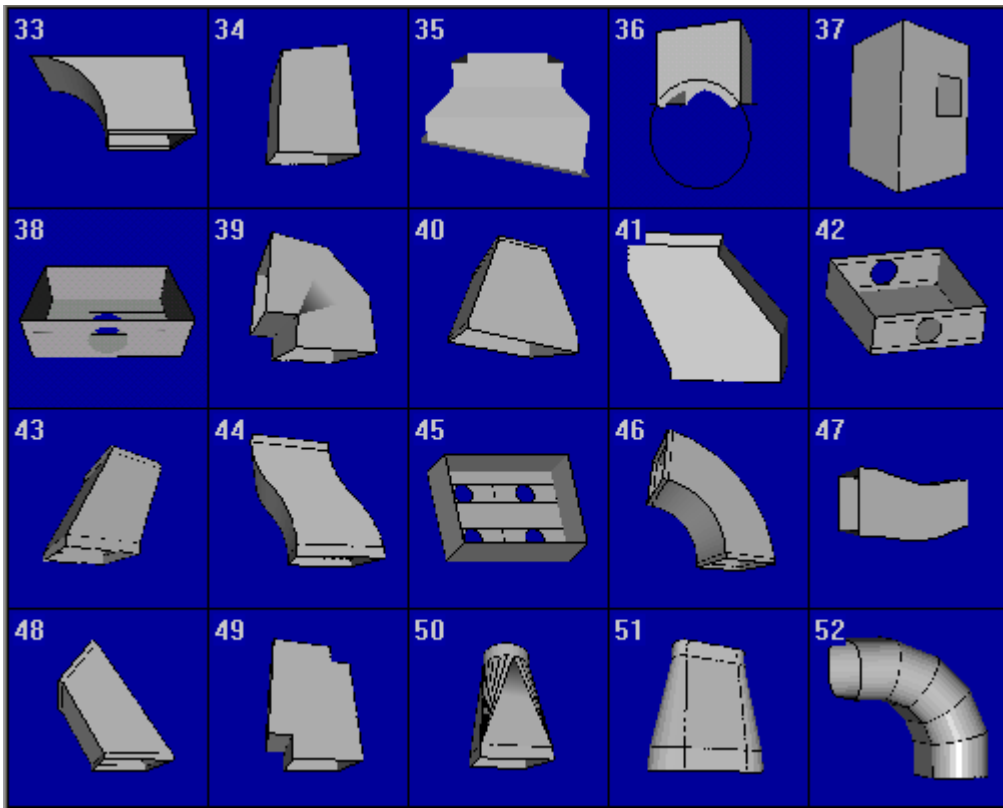
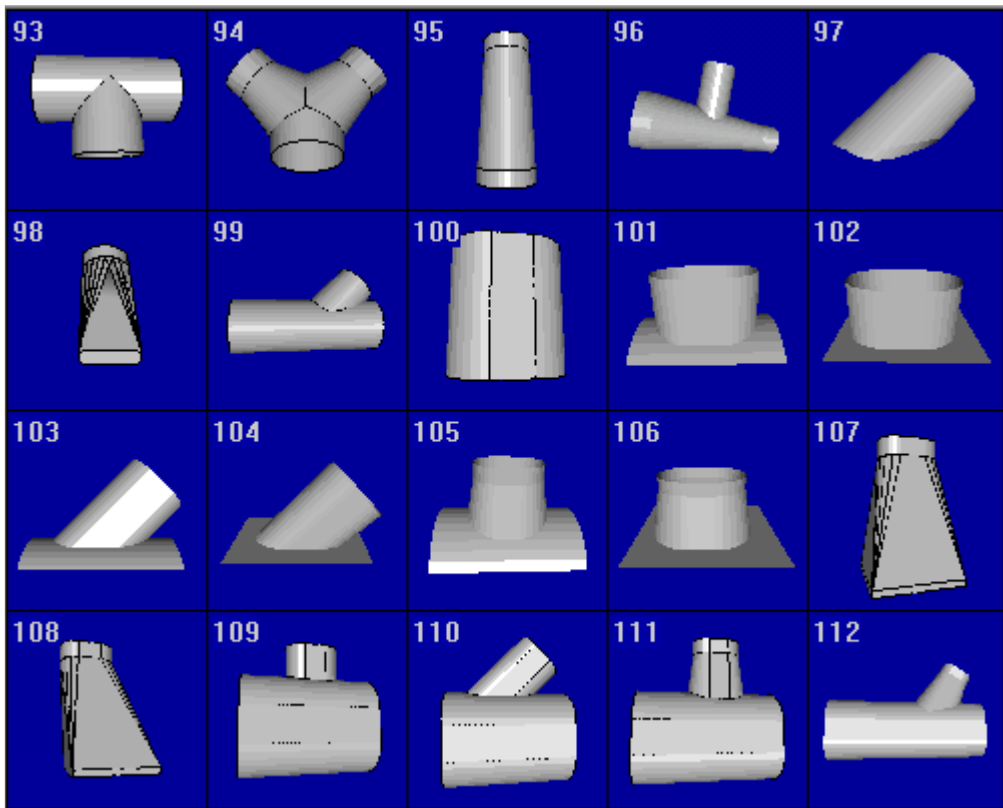
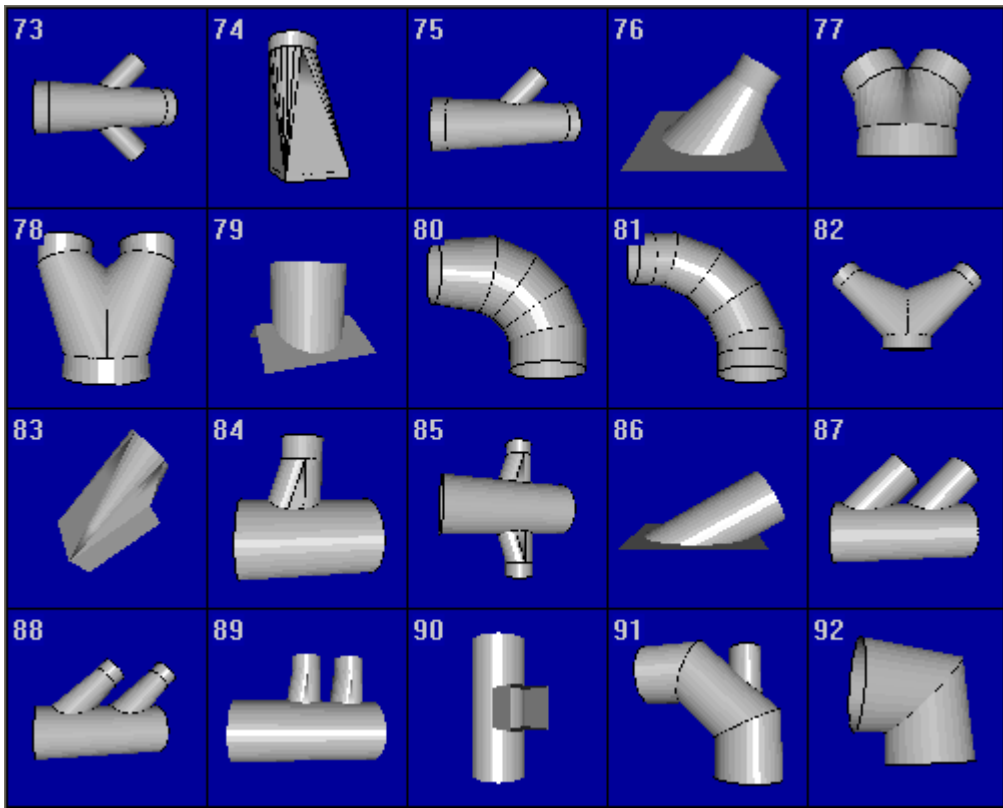


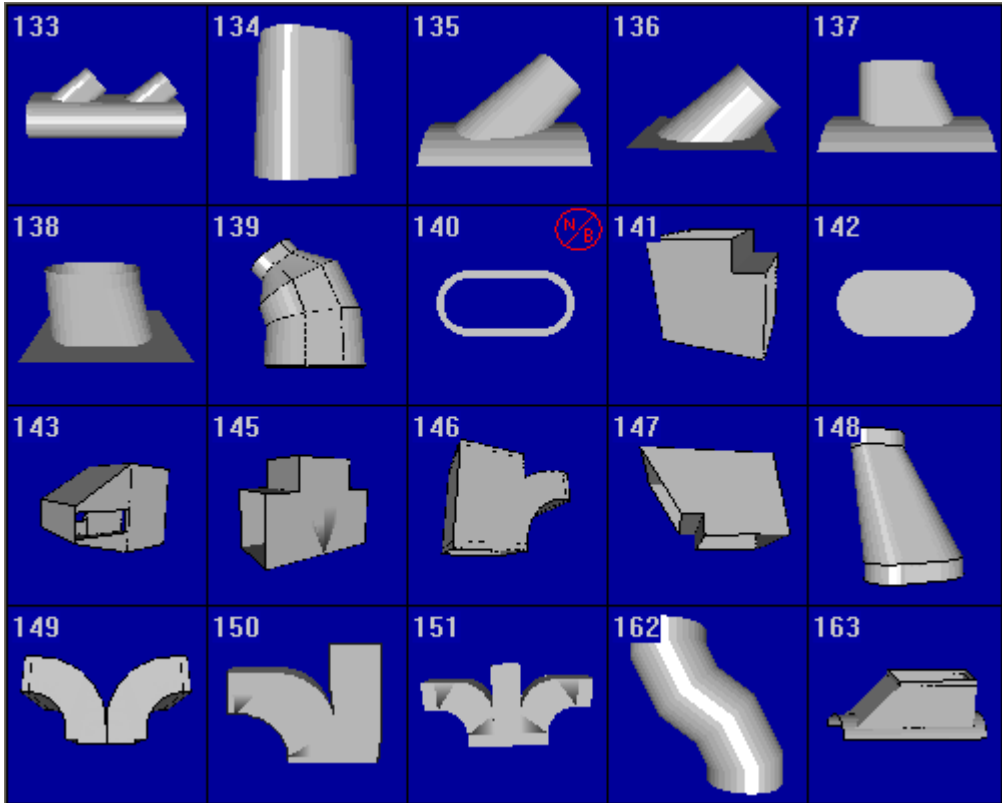
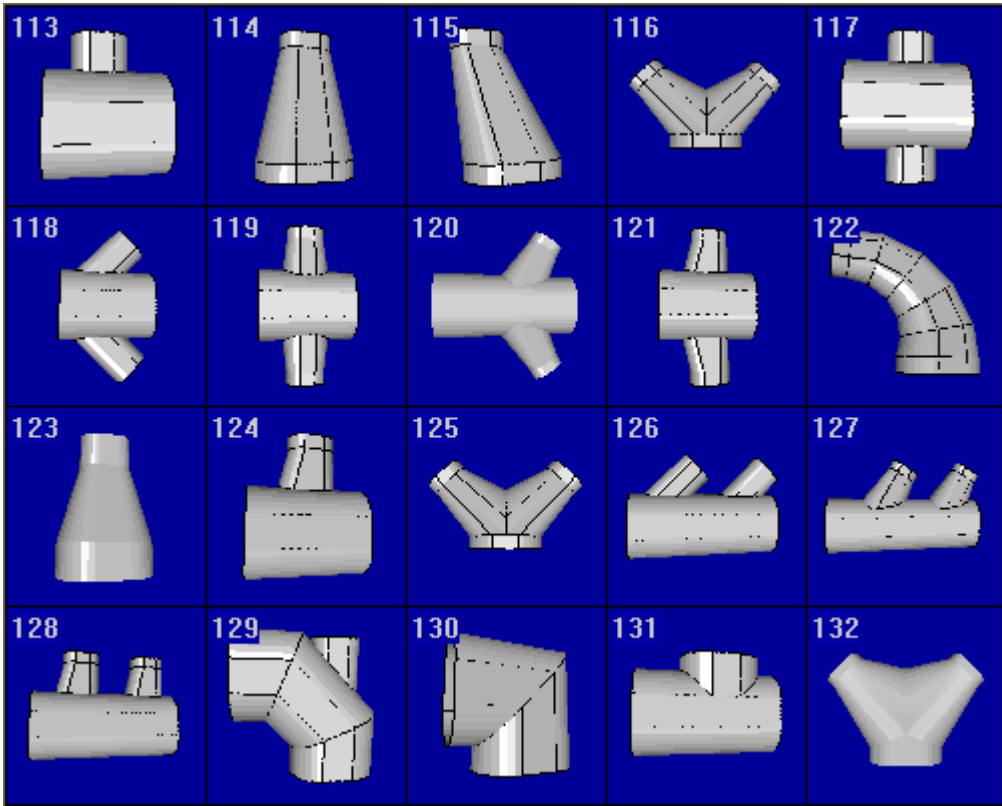
# Fitting Library

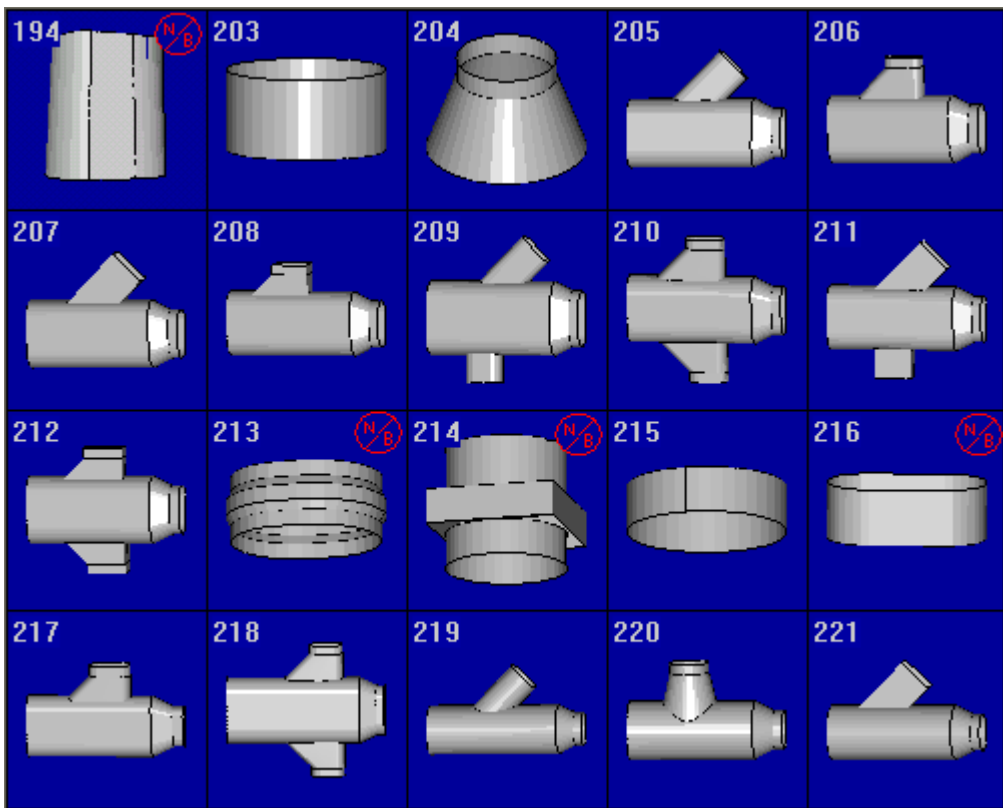
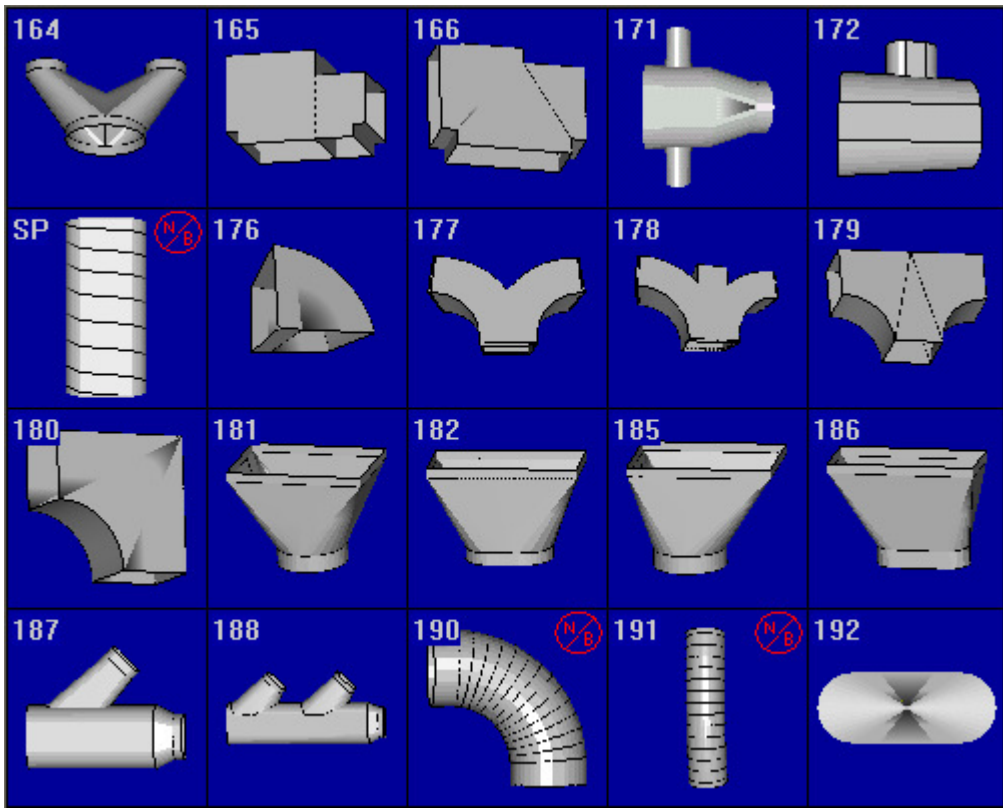
**SHOP DATA**  
SYSTEMS

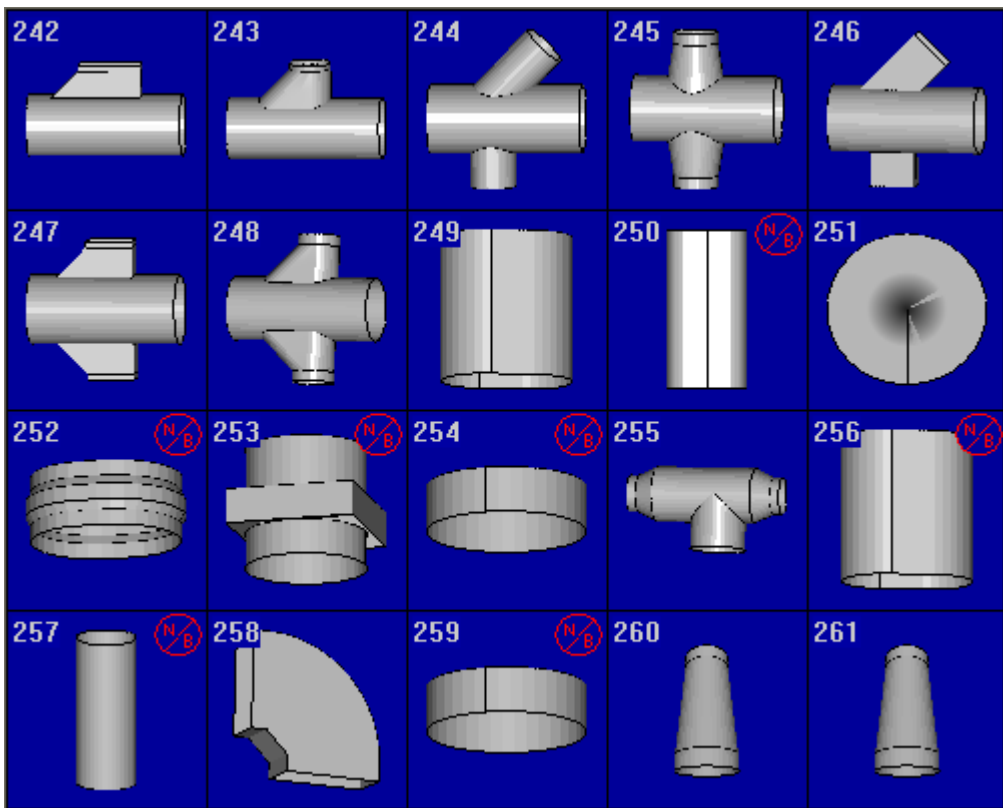
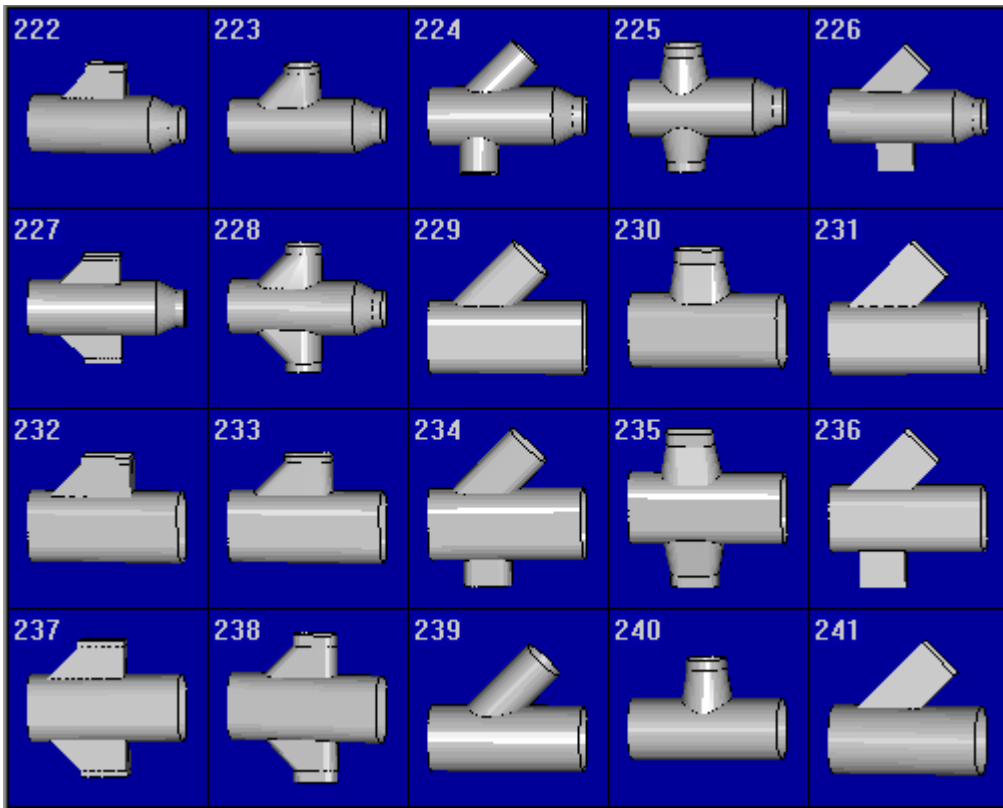


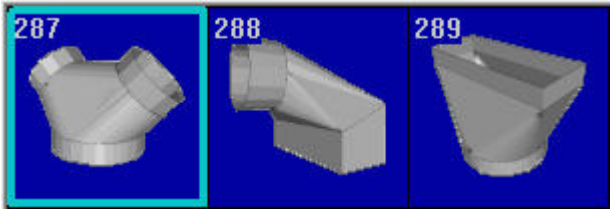
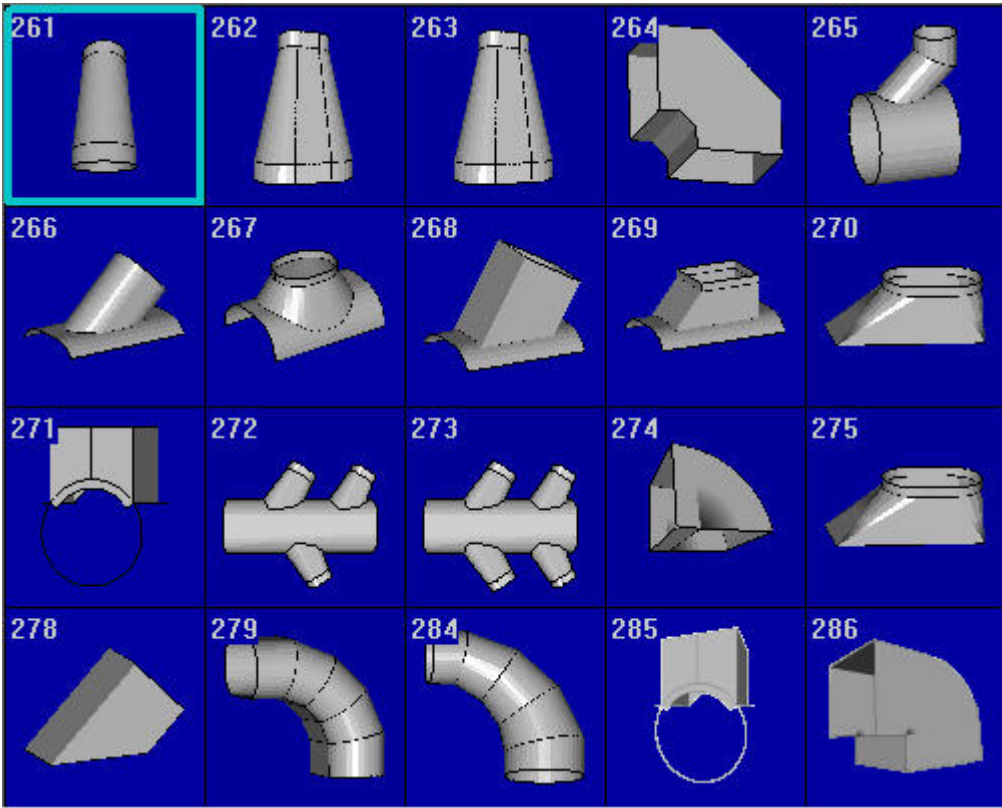














## Fitting Numbers and Descriptions

Fit #	Fitting Description	Fit #	Fitting Description
-158	Rectangle Straight Duct	44	O.G. Offset
-157	Flat Oval Straight Duct	45	Pan W/ Four Bottom Holes
-156	Round Straight Duct	46	Drop Cheek Elbow W / Vane
-155	Plasma Flat Oval Duct	47	Double Offset
-154	Plasma Round Duct	48	Mitered Transition
-153	Plasma Rectangle Duct	49	Double Ell
-4	Volume Damper	50	Square To Round
-3	Flex Connection	51	Flat Oval C/L Transition
-2	End Cap	52	Gored Elbow
-1	Connector Frame	53	Offset
0	Straight Duct	54	45 Degree Lateral
1	Square 90 Degree Elbow	55	Tee
2	Square Throat Radius Heel Ell	56	Conical Tee
3	Angle Elbow	57	Reducer
4	Radius Elbow	58	Mitered Square To Round
5	Square Tee	59	Mitered Round Transition
6	Left To Right O.G. Offset	60	Reducing Gored Elbow
7	Trans. L To R O.G. Offset	61	Conical Tee W / Reducer
8	Trans. R To L O.G. Offset	62	Conical Tee Cross W / Reducer
9	R To L Dog Leg Offset	63	Lateral W / Reducer
10	Straight Right Transition	64	Lateral Cross W / Reducer
11	Straight Left Transition	65	Tee W / Reducer
12	Centerline Transition	66	Tee Cross W / Reducer
13	Trans. R To L Dog Leg Offset	67	Radius Saddle Takeoff
14	Trans. L To R Dog Leg Offset	68	Flat Saddle Takeoff
15	Radius Tap	69	Transition
16	45 Degree Angle Tap	70	Reducing Offset
17	Straight Tap	71	Variation Wye Branch
18	Transition Offset	72	Tapered Wye
19	Short Straight Duct	73	Tapered Wye Cross
20	Parker Elbow	74	Offsetting Square To Round
21	Radius Side Takeoff	75	Offset Lateral On Taper
22	Radius Tee	76	Roof Jack
23	Square Throat Radius Tee	77	One Piece Wye
24	Three Way Radius Tee	78	Gored Wye
25	180 Degree Gooseneck	79	Pipe On Roof Ridge
26	Square Throat Side Takeoff	80	Elbow W / Reducer
27	Wye Branch	81	Constant Radius Elbow
28	Base	82	Mitered Wye
29	Pan W / Side Hole	83	Round to Square Elbow
30	135 Deg. Sq. Throat Gooseneck	84	Boot Tee
31	Increase Area Radius Gooseneck	85	Boot Cross
32	Three Way Square Tee	86	Flat Tapered Saddle Takeoff
33	Radius Angle Tap	87	Double Lateral Tee
34	Mitered Duct	88	Double Conical Lateral
35	Roof Curb	89	Double Boot Tee
36	Rect. Saddle Off Round Pipe	90	Round Pipe W/Sq Access Hole
37	Short Str. Duct W/Access Door	91	Round Elbow W / Tap
38	Pan W / Side & Bottom Holes	92	Round Sq Throat Elbow W / Vanes
39	90 Degree Cropped Heel Elbow	93	Bullhead Tee W / Vanes
40	Transitional Fan Base	94	Three Piece Wye
41	Square Offset	95	Spiral Transition
42	Pan W / Two Side Holes	96	Spiral Conical W / 90 Deg Takeoff
43	Transition	97	Pipe Template

Fit #	Fitting Description	Fit #	Fitting Description
98	Square to Round w/ Rounded Corners	151	Nested Cross
99	F/O Offset Conical Lateral	152	Square to Flat Oval Offset
100	Flat Oval Straight Duct	162	Multi-Curved Offset
101	F/O Radius Saddle Tee	163	Rectangle Saddle Takeoff
102	F/O Flat Saddle Tee	164	Two Piece Wye
103	F/O Radius Saddle Lateral	165	Nested Tee
104	F/O Flat Saddle Lateral	166	Step Down Square Tee
105	F/O Radius Saddle Conical Tee	171	Two Arm Fitting
106	F/O Flat Saddle Conical Tee	172	One Arm Fitting
107	C/L Rectangle To Flat Oval	173	Zero Arm Fitting
108	Offset Rectangle To Flat Oval	174	Spiral Pipe
109	F/O Tee	175	General Purpose Fitting
110	F/O Lateral	176	Parker Elbow #2
111	F/O Conical Tee	177	Radius Tee #2
112	F/O Conical Lateral	178	Three Way Radius Tee #2
113	F/O Offset Tee	179	Radius Throat Tee
114	F/O Centerline Transition	180	Radius Throat Square Heel Ell
115	F/O Offset Transition	181	Round To Rectangle
116	F/O Variation Wye	182	Flat Oval To Rectangle
117	F/O Cross	185	Offset Round To Rectangle
118	F/O Lateral Cross	186	Offset Flat Oval To Rectangle
119	F/O Conical Cross	187	F/O Offset Single Con. Lat. w/Red.
120	F/O Conical Lateral Cross	188	F/O Offset Double Con. Lat. w/Red.
121	F/O Boot Cross	189	Twisted Fitting
122	F/O Reducing Gored Elbow	190	Flex Elbow
123	F/O Reducing Offset	191	Flex Duct
124	F/O Boot Tee	192	Round/Oval End Cap
125	F/O Mitered Wye	193	Other Elbow
126	F/O Double Lateral Tee	194	Other Oval Duct
127	F/O Double Conical Lateral	195	Rd-Rd #1
128	F/O Double Boot Tee	196	Rd-Rd #2
129	F/O Elbow W / Tap	197	Sq-Sq #1
130	F/O Sq Throat Elbow W / Vanes	198	Sq-Sq #2
131	F/O Bullhead Tee W / Vanes	199	Sq-Rd #1
132	F/O Three Piece Wye	200	Sq-Rd #2
133	F/O Offset Double Con. Lateral	201	Rd-Sq #1
134	F/O Pipe W / Sq Access Hole	202	Rd-Sq #2
135	F/O Con. Lat. Saddle On Round	203	Spin-in Tap
136	F/O Con. Lat. Saddle on Flat	204	Conical Spin-in Tap
137	F/O Boot Saddle On Round	205	Single Oval Lateral w/Reducer
138	F/O Boot Saddle On Flat	206	Single Oval Conical w/Reducer
139	F/O Elbow W / Reducer	207	Single Rectangle Tap w/Reducer
140	Oval Ring	208	Single Rectangle Boot w/Reducer
141	Corner Tap	209	Oval Lateral Cross w/Reducer
142	Round / Flat Oval Disk	210	Oval Conical Cross w/Reducer
143	Reverse Elbow	211	Rectangle Tap Cross w/Reducer
145	Fire Damper Sleeve	212	Rectangle Boot Cross w/Reducer
146	Radius Side Takeoff	213	Round/Oval Canvass
147	Square 135 Degree Elbow	214	Round/Oval Fire Damper
148	Square Offset w/ Rounded Corners	215	Fitting Coupling
149	Nested Tee	216	Pipe Coupling
150	Nested Wye Branch	217	Oval Conical Boot w/Reducer

Fit #	Fitting Description	Fit #	Fitting Description
218	Oval Conical Boot Cross w/Reducer	242	Round Rectangle Boot
219	Round Later w/Reducer	243	Round Conical Boot
220	Round Conical w/Reducer	244	Round Lateral Cross
221	Round w/Reducer and Rectangle Tap	245	Round Conical Cross
222	Round w/Reducer and RectangleBoot Tap	246	Round Rectangle Tap Cross
223	Round w/ Reducer and Conical Boot Tap	247	Round Boot Tap Cross
224	Round Lateral Cross w/Reducer	248	Round Conical Boot Cross
225	Round Conical Cross w/Reducer	249	Round Straight Duct
226	Round Rectangular Tap Cross w/Reducer	250	Round Pipe
227	Round Rectangular Boot Cross w/Reducer	251	Round End Cap
228	Round Conical Boot Cross w/Reducer	252	Round Canvas
229	Oval Lateral Tap	253	Round Fire Damper
230	Oval Conical Tap	254	Round Fitting Coupling
231	Oval Rectangle Tap	255	Round Bullhead w/Vanes and Reducers
232	Oval Rectangle Boot Tap	256	Flat Oval Sheared Duct
233	Oval Conical Boot Tap	257	Round Sheared Duct
234	Oval Lateral Cross	258	Flat Throat Rectangle Elbow
235	Oval Conical Cross	259	Round Pipe Coupling
236	Oval Rectangular Tap Cross	260	Round Bellmouth
237	Oval Boot Tap Cross	261	Round Insulation Stop
238	Oval Conical Boot Cross	262	Flat Oval Bellmouth
239	Round Lateral	263	Flat Oval Insulation Stop
240	Round Conical	264	Flat Throat Flat Heel Elbow
241	Round Rectangle Tap		